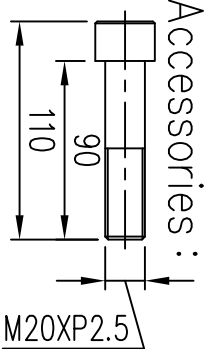
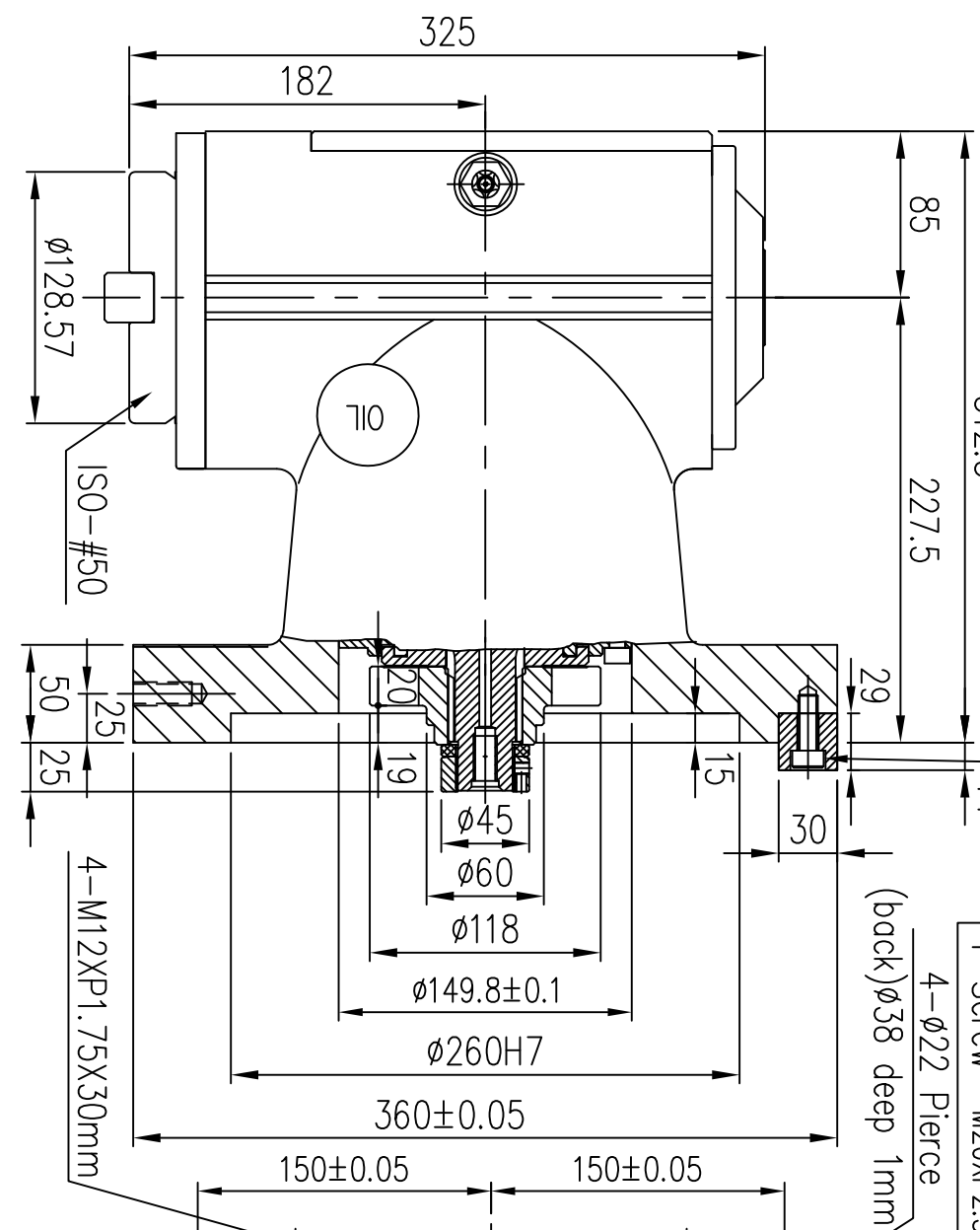
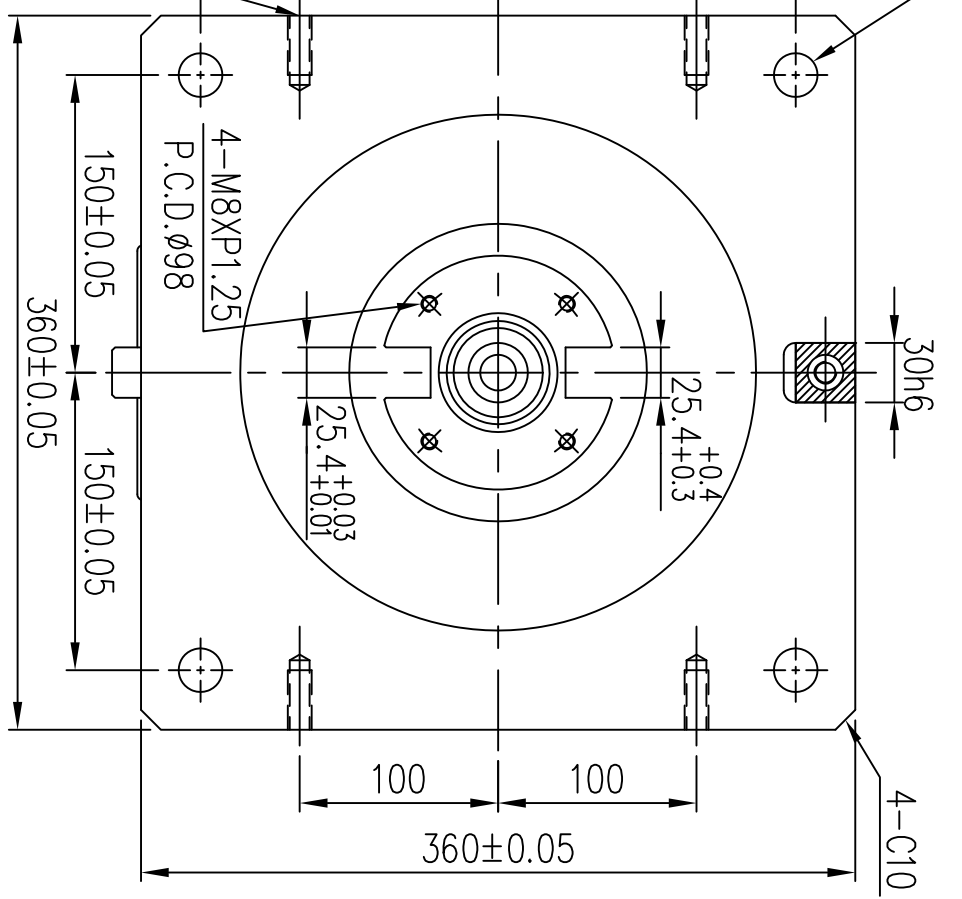


加工精度

N75-Z-09(E)



Accessories :
 T-Screw M20XP2.5X90L
 4-ø22 Pierce
 (back) ø38 deep 1mm



Max Cutter Dia	ø200(8")
Reduction Ratio	1 : 1
Max Power	38kw
Max Revolving	800rpm
Main Spindle Steering	Right Turn